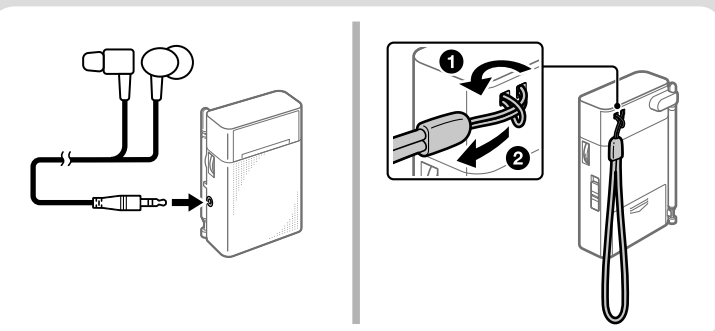
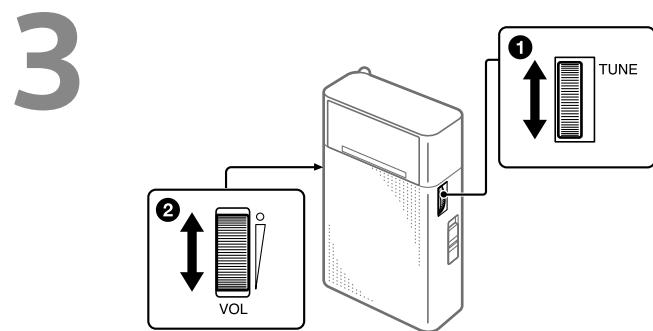
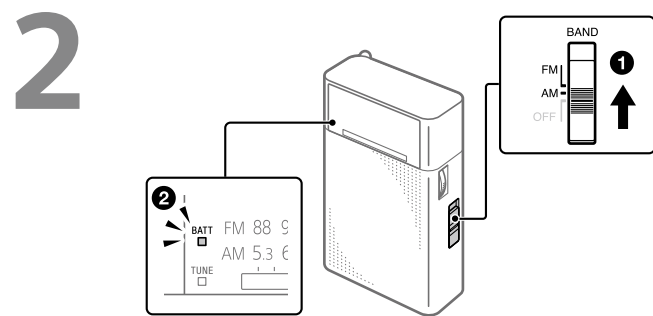
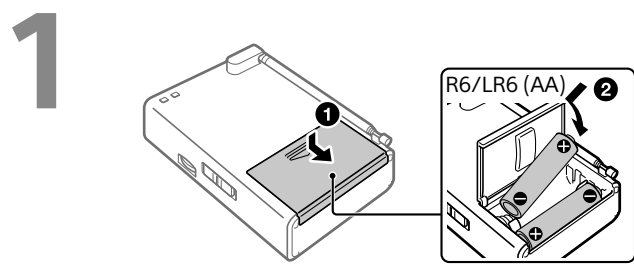


FM/AM Radio

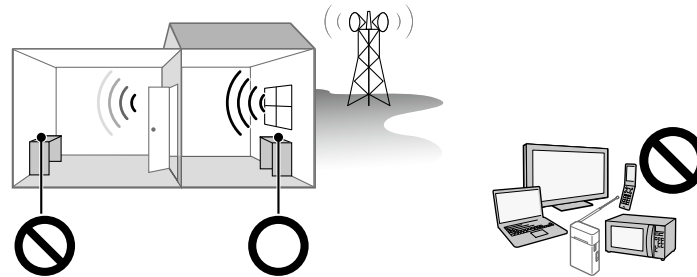
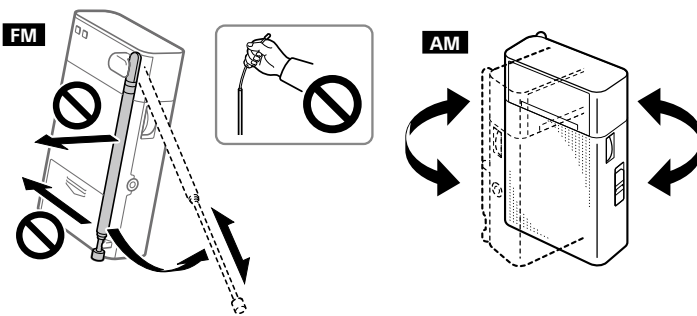
Operating Instructions
Инструкция по эксплуатации
Басқару нұсқаулары



ICF-P26



For Better Reception/Для улучшения приема/
Сигналды жақсы қабылдау үшін



English

WARNING

Do not install the appliance in a confined space, such as a bookcase or built-in cabinet.

Do not expose the appliance to naked flame sources (for example, lighted candles).

Batteries or batteries installed apparatus shall not be exposed to excessive heat such as sunshine, fire or the like.

The nameplate and important information concerning safety are located on the bottom exterior.



FM/AM Radio

Manufacturer: Sony Corporation, 1-7-1 Konan Minato-ku Tokyo, 108-0075 Japan
Made in China

Importer on the territory of the CU:
JSC "Sony Electronics", 123103, Moscow, Karamyshevsky lane 6, Russia.

The company which authorised to accept the claims from end-users in KZ territory:
JSC "Sony Electronics", representative in KZ, 050010, Kazakhstan Republic, Almaty city, Dostyk street, 117/7

Production Date

The date of manufacture is specified on the barcode label on the carton after the word "Produced" in the following format: MM-YYYY, where MM-month and YYYY-the year of manufacturing.

Sony ICF-P26 is designed for listening to FM and AM radio stations.

Storage conditions:

Products should be stored in the package in the dark, dry, clean well ventilated places isolated from places of storage of acids and alkalis. Storage temperature: -20 °C to +55 °C. Storage humidity: not more than 70% without condensate. Storage period not established.

Transportation should be performed in the original packaging of the manufacturer. During transport do not drop, do not throw, not to excessive vibration.

In case of malfunction couldn't be fixed by this IM — please contact your nearest Sony service center.

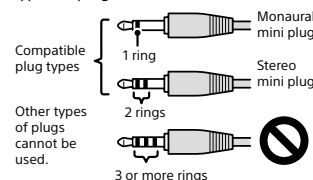
Operate the unit only on 3 V DC with two R6/LR6 (size AA) batteries.

Sales should be performed in accordance with current applicable local legislation.

Product, which couldn't be used anymore should be utilized in accordance with current applicable local legislation.

Precautions

- Avoid exposure to temperature extremes, direct sunlight, moisture, sand, dust or mechanical shock. Never leave the unit under lighting equipment, or in a car parked in the sun.
- Should anything fall into the unit, remove the batteries, and have the unit checked by qualified personnel before operating it any further.
- Since a strong magnet is used for the speaker, keep personal credit cards using magnetic coding or spring-wound watches away from the unit to prevent possible damage from the magnet.
- When the casing becomes soiled, clean it with a soft dry cloth moistened with mild detergent solution.
- Never use abrasive cleansers or chemical solvents, as they may deform the casing.
- Make sure not to splash water on the unit. This unit is not waterproof.
- Listening with this unit at high volume may affect your hearing. For traffic safety, do not use this unit while driving or cycling.
- Under certain circumstances, especially when the air is very dry, it is not uncommon to experience a discharge of static electricity, or shock, when your body comes in contact with another object, in this case the ear buds touching your ear(s). The energy from this natural discharge is extremely small and is not emitted by your product but rather a natural environmental occurrence.
- Depending on the strength of radio signals, the TUNE (tuning) indicator may not light up even if a broadcast is being received. Furthermore, the indicator may light up incorrectly due to extraneous noise even when a broadcast is not being received. Use the TUNE indicator as a reference.
- When connecting headphones (not supplied) to the unit, use headphones with a stereo (3-pole) or monaural (2-pole) mini plug. Sound may not be heard when using other types of plugs.



* When connecting stereo headphones, you will hear monaural sound in both ears.

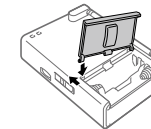
When to replace the batteries

Replace all batteries with new ones when the BATT (battery) indicator becomes dim or the sound becomes weak.

Notes on batteries

- Do not mix an old battery with a new one or mix different type of batteries.
- When you are not going to use the unit for a long time, remove the batteries to avoid damage from battery leakage and corrosion.
- Check if the batteries are inserted in the correct orientation (⊕ and ⊖) when the radio does not turn on after battery replacement.
- Batteries have a recommended use-by date for proper use. When using expired batteries, battery life will be extremely short. Check the use-by date on the batteries and if they are expired, replace them with new ones.

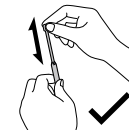
If the battery compartment cover comes off



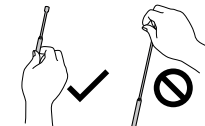
Insert the right hook tab of the lid into the right hole, then put the left hook tab on the edge of the opening and slide it slowly until it fits into the left hole.

Notes on handling the FM antenna

- When adjusting the length, hold the antenna by the thickest part and top, and extend/retract it slowly.



- When adjusting the direction, hold the antenna by the thickest part and rotate it. If you move the antenna by the top or apply strong force, it may break.



If you have any questions or problems concerning your unit, please consult your nearest Sony dealer.

Specifications

Frequency range:
FM: 87.5 MHz – 108 MHz/AM: 530 kHz – 1,605 kHz

Speaker:
Approx. 5.7 cm dia., 8 Ω

Output:
⌀ (headphones) jack (ø3.5 mm mini jack)

Power output:
100 mW (at 10% harmonic distortion)

Power requirements:
3 V DC, two R6/LR6 (size AA) batteries

Battery life*:
Approx. 100 hours (FM reception)/Approx. 110 hours (AM reception)

* When listening through the speaker on alkaline batteries manufactured by Sony (LR6SG). The actual battery life varies significantly depending on battery type (such as rechargeable batteries), usage and circumstances.

Dimensions (W/H/D):
Approx. 69.5 mm × 119 mm × 38 mm (incl. projecting parts)

Mass:
Approx. 190 g (incl. batteries)

Supplied contents*:

Main unit: ICF-P26 (1)

Hand strap (1)

Operating Instructions (this manual) (1)

* Headphones are not included.

Design and specifications are subject to change without notice.

